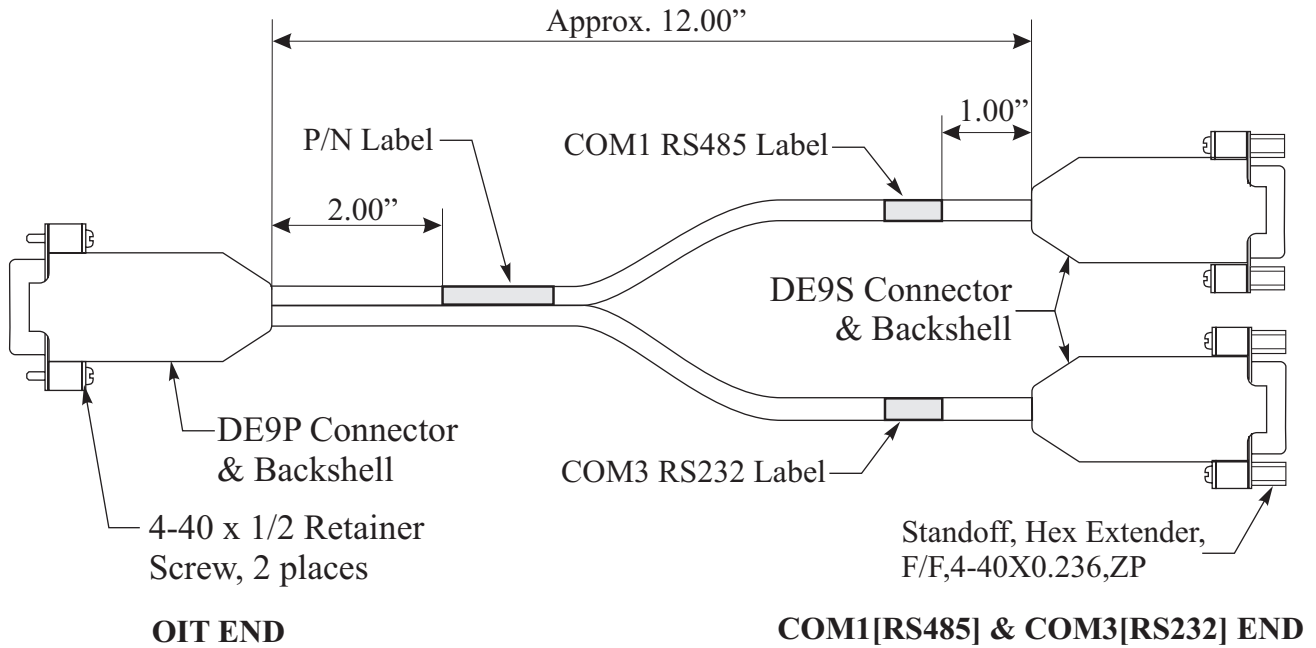




Maple OIT Model: **Silver Plus Series**

Communication Type: **COM1 RS485**
COM3 RS232
Splitter Cable

Use the wiring diagram and illustration to assemble a splitter cable from COM1 RS485 and COM3 RS232 of the OIT. Can be ordered from Maple Systems - Maple P/N 7431-0114.



NOTES:

- ① Connect shield wire to metal shell.

