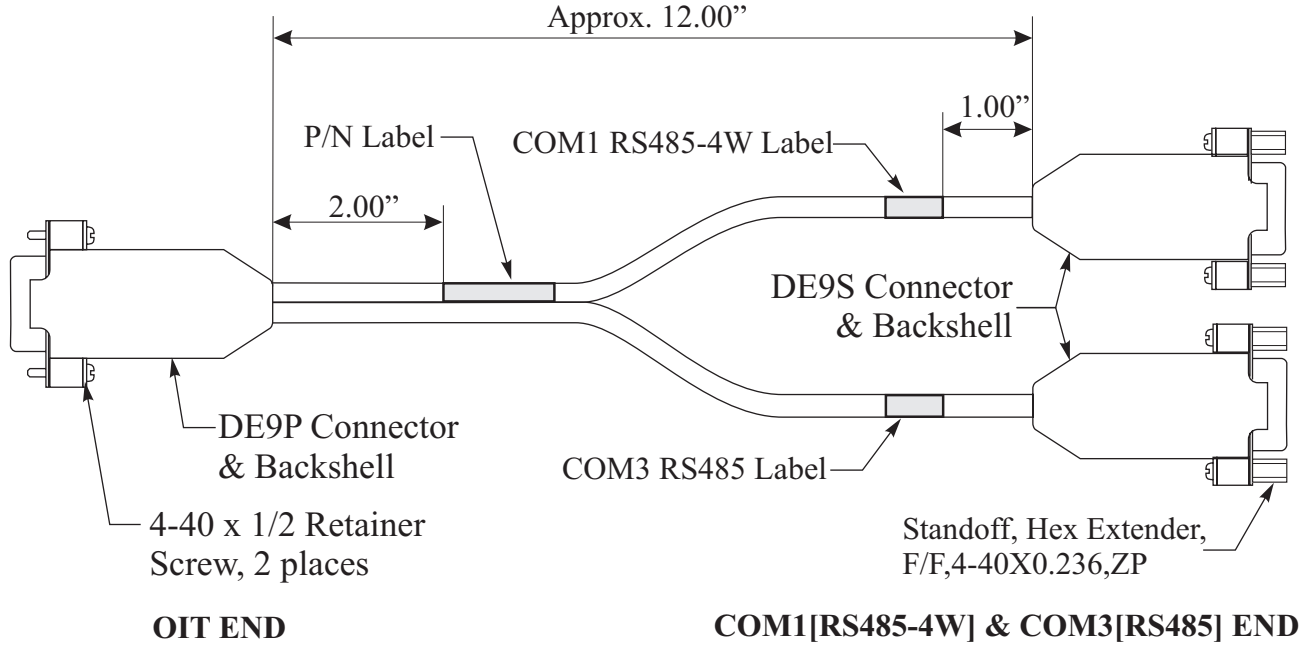




Maple OIT Model: **Silver Plus Series**
 Communication Type: **COM1 RS485 4-wire**
COM3 RS485
Splitter Cable

Use the wiring diagram and illustration to assemble a splitter cable from COM1 RS485-4W and COM3 RS485 on the OIT. Can be ordered from Maple Systems, Maple P/N 7431-0112.



NOTES:

- ① Connect shield wire to metal shell.

