

C A B L E A S S E M B L Y I N S T R U C T I O N

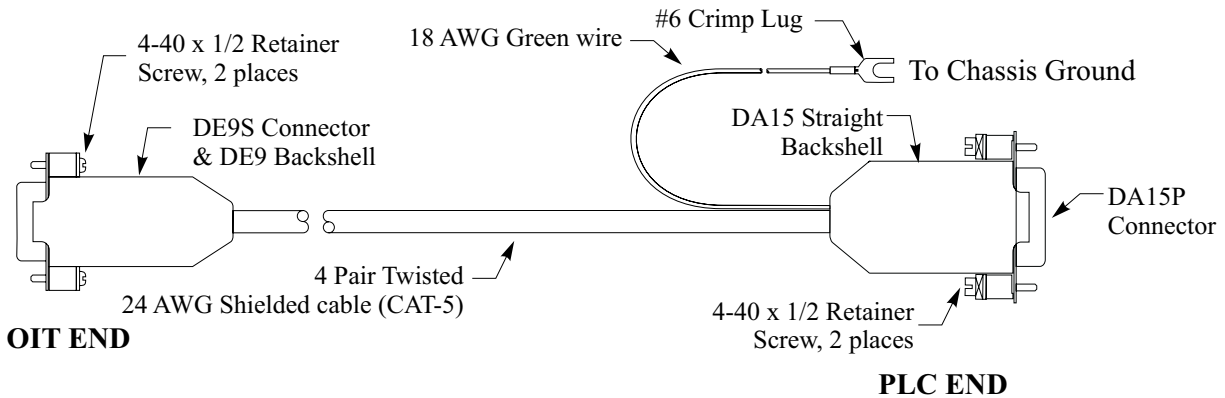


Controller Model: **Panasonic (Aromat, NAI S, Matsushita) FP3**

Maple OIT Model: **BLU300 Series**

Communication Type: **RS-485/RS-422 with DA15 connector at PLC**

Use the wiring diagram and illustration to assemble a communication cable for use with a Panasonic (Aromat, NAI S, Matsushita) FP3 PLC.



NOTES:

- 1 Twist together 18 AWG green wire and shield wire. Solder wires and insulate with heatshrink to avoid shorting.

