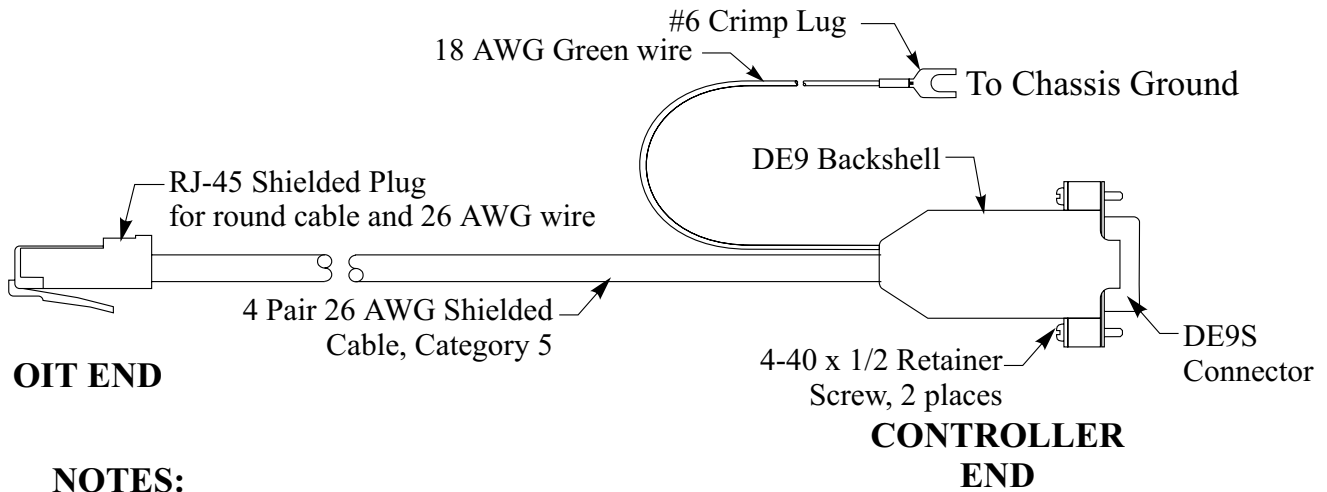




Controller Model: **Galil DMC Series Controllers**
 Maple OIT Model: **OIT3100 and OIT4100 Series**
 Communication Type: **RS-232 with DE9 connector at Controller**

Use the wiring diagram and illustration to assemble a communication cable for use with a Galil DMC Series Controller.



NOTES:

- 1 ▷ Twist together 18 AWG green wire and shield wire. Solder wires and insulate with heatshrink to avoid shorting.
- 2 ▷ Connect shield wire to the metal housing of the RJ-45 connector.

