



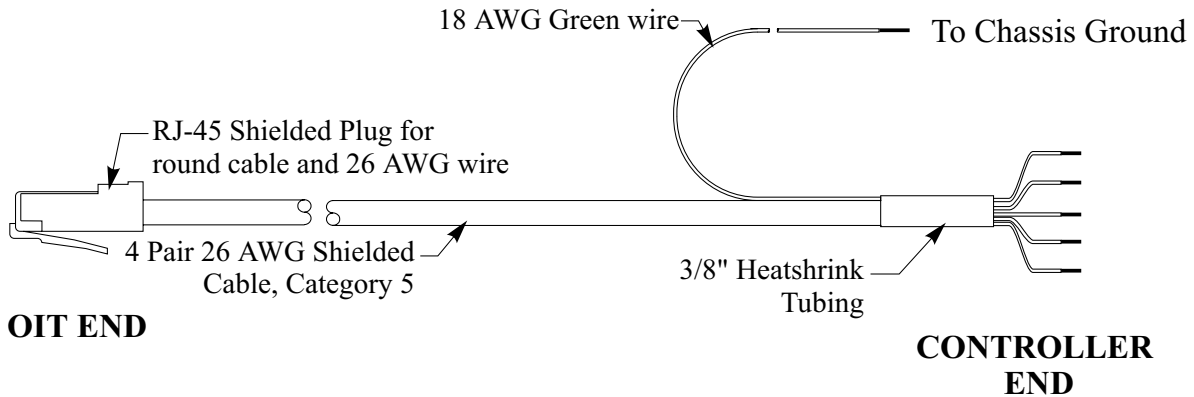
Controller Model: **Acroloop ACR2000 and ACR8000**

Maple OIT Model: **OIT3100 and OIT4100 Series**

Communication Type: **RS-422 with Leads at Controller**

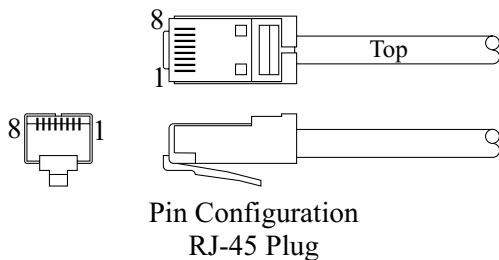
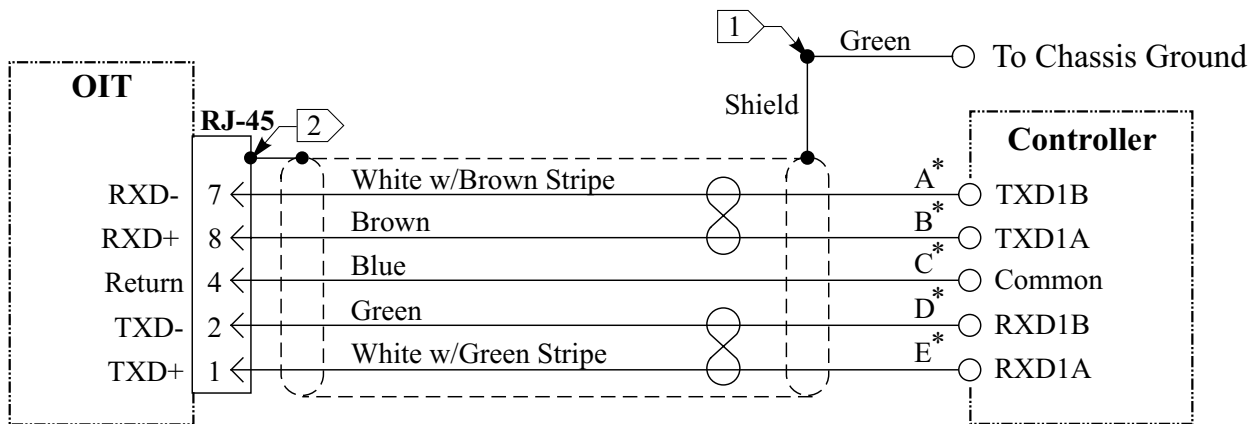
Use the wiring diagram and illustration to assemble a communication cable for use with an Acroloop ACR2000 or ACR8000 controller.

NOTE: ACR2000 requires ACRCOMM communications board.



NOTES:

- 1) Twist together 18 AWG green wire and shield wire. Solder wires and insulate with heatshrink to avoid shorting.
- 2) Connect shield wire to the metal housing of the RJ-45 connector.



Pin # Table

* Pin	COM1	COM2
A	6	14
B	5	13
C	8	16
D	7	15
E	3	11