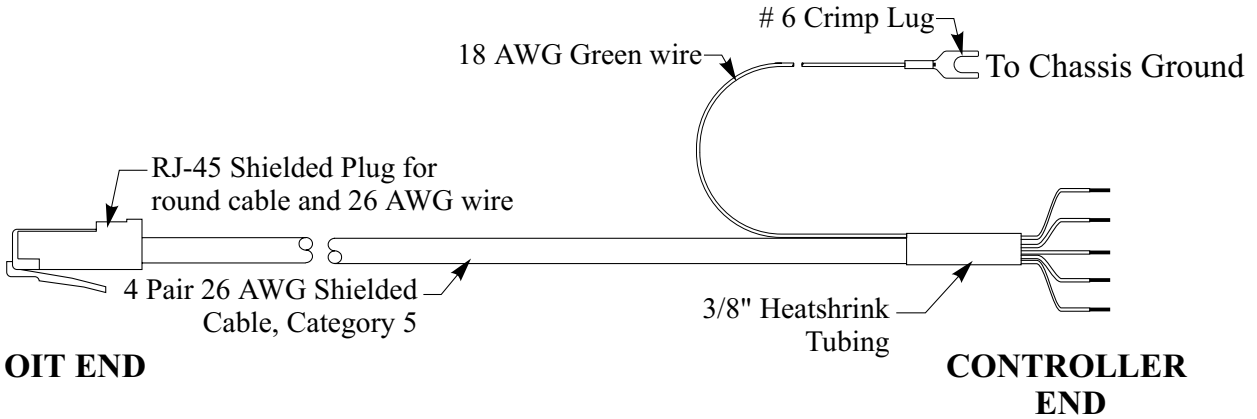




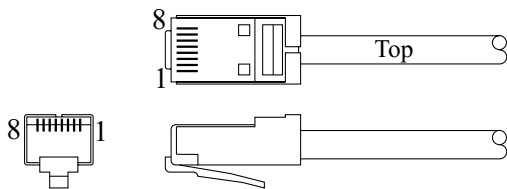
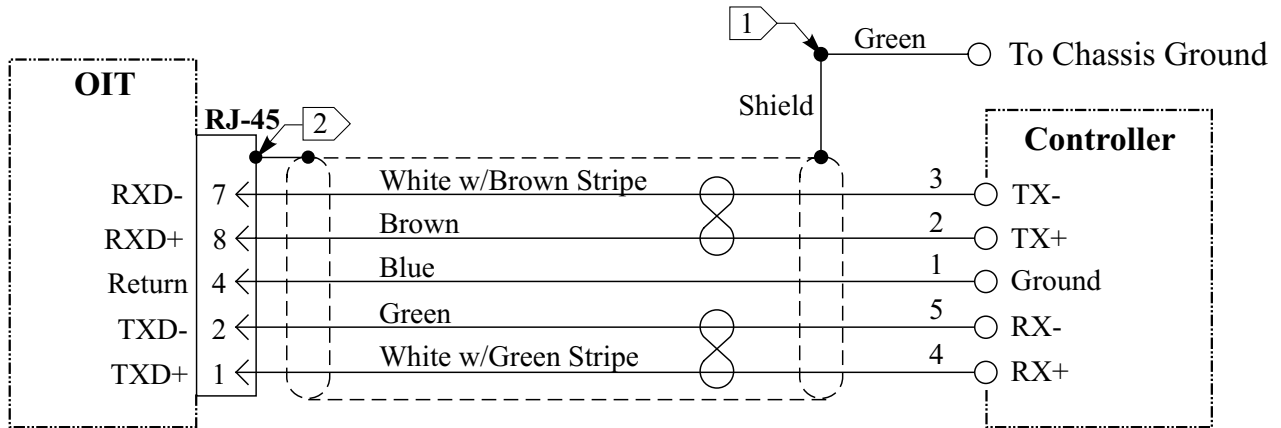
Controller Model: **Control Microsystems SCADAPack Series**
 Maple OIT Model: **OIT3100 and OIT4100 Series**
 Communication Type: **RS-485 with Leads at Controller**

Use the wiring diagram and illustration to assemble a communication cable for use with a Control Microsystems SCADAPack Series controller.



NOTES:

- 1 > Twist together 18 AWG green wire and shield wire. Solder wires and insulate with heatshrink to avoid shorting.
- 2 > Connect shield wire to the metal housing of the RJ-45 connector.



Pin Configuration
RJ-45 Plug