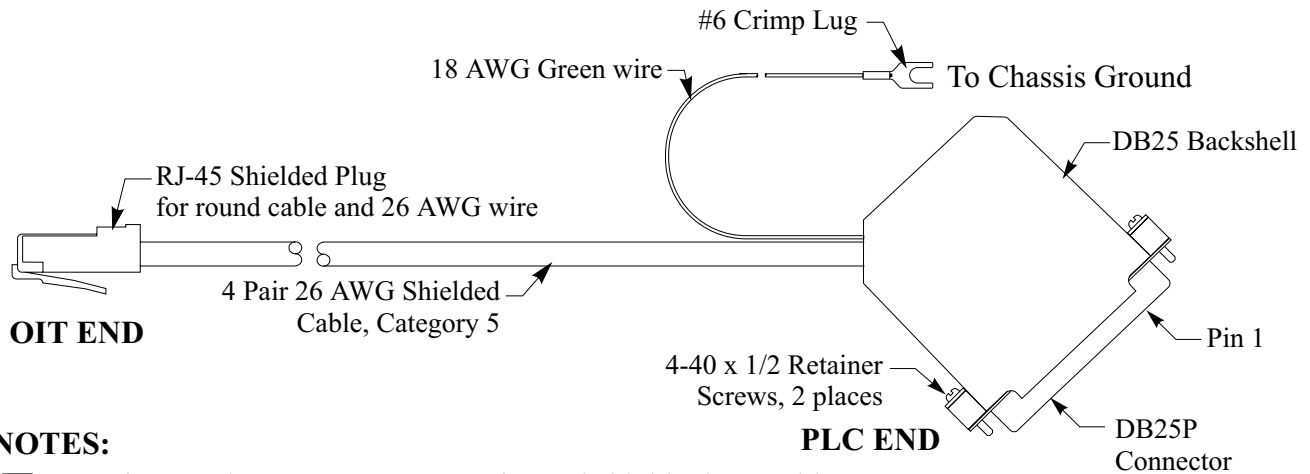




Controller Model: **Allen-Bradley PLC-5 Family**  
 Maple OIT Model: **OIT3100 and OIT4100 Series**  
 Communication Type: **RS-232 with DB25 connector at PLC**

Use the wiring diagram and illustration to assemble a communication cable for use with an Allen-Bradley PLC-5 Family PLC. Maple System's products use the DF1 protocol to communicate with this PLC. This cable is for communication directly from the DF1 port.



**NOTES:**

- 1 Twist together 18 AWG green wire and shield wire. Solder wires and insulate with heatshrink to avoid shorting.
- 2 Connect shield wire to the metal housing of the RJ-45 connector.

