

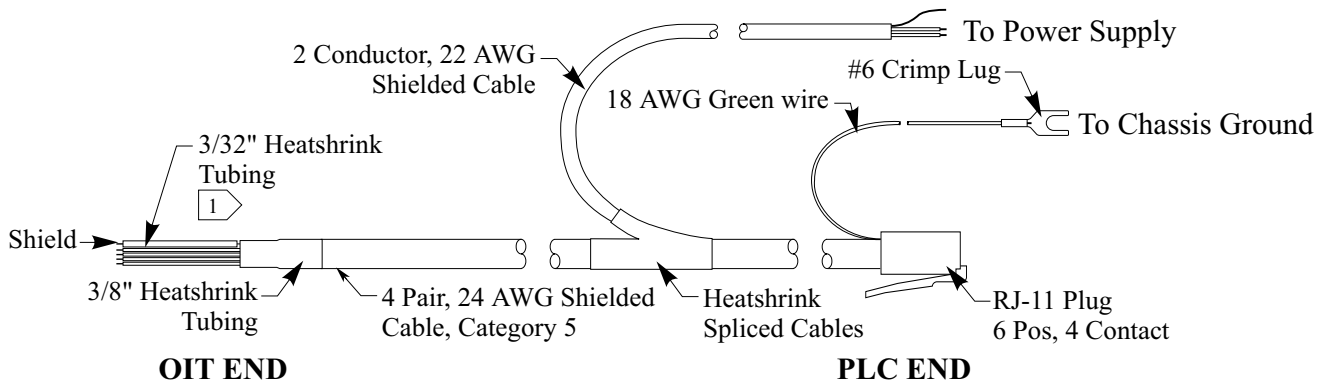


Controller Model: **Koyo DL305 (D3-340 CPU)**

Maple OIT Model: **MAP460D, OIT3600B**

Communication Type: **RS-232 with RJ-11 at PLC**

Use the wiring diagram and illustration to assemble a communication cable for use with a Koyo DL305 PLC (D3-340 CPU).



OIT END
NOTES:

- ① Install heatshrink on shield (bare wire) to avoid shorting to components.
- ② Splice cables and shield. Heatshrink and seal connection.

